

MATERIAL AND FINISH

Insulator: Polycarbonate, UL-94V-0 rated
 Contacts: Brass, Nickel plated

ELECTRICAL SPECIFICATIONS:

Current rating: 10 A
 Voltage rating: 250 VAC
 Current rating: 15 A
 Voltage rating: 250 VAC



ORDERING CODE:

42R03-4 2
 1 2

1) COLOR

- 1 = BLACK
- 2 = GRAY

2) ELECTRICAL CIRCUIT CONFIGURATION

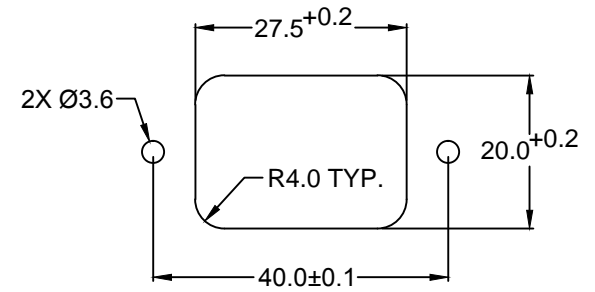
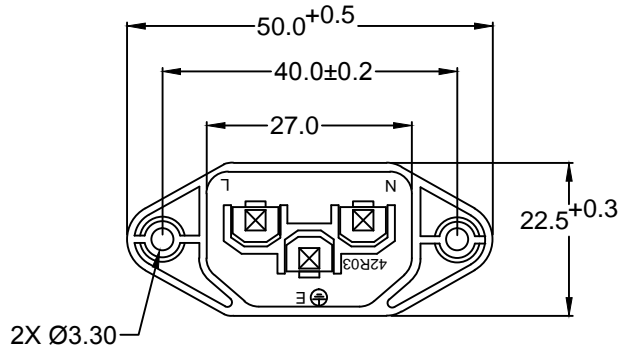
1 = 15A 250V 120°C
 2+GROUND



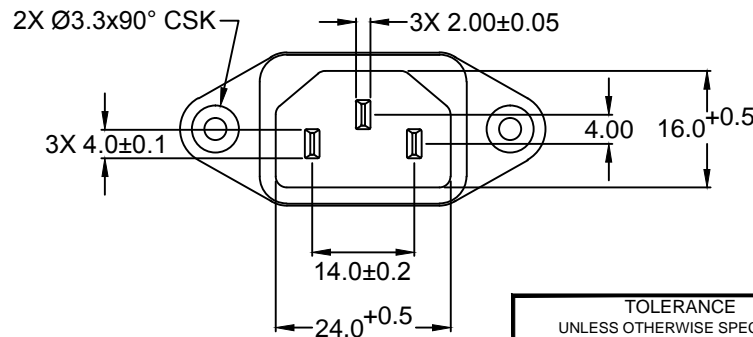
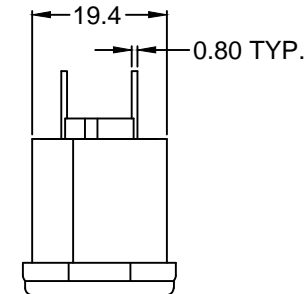
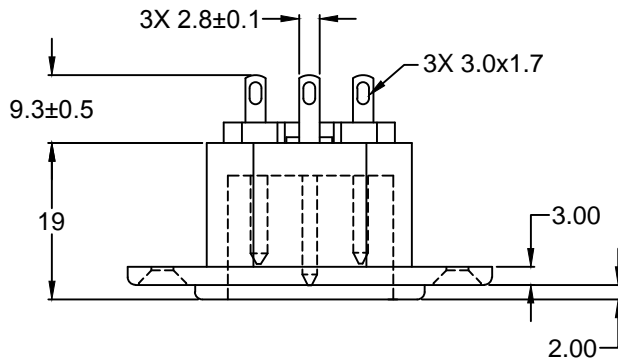
2 = 15A 250V 70°C
 2+GROUND



4 = 15A 250V 70°C
 2 POLE



**RECOMMENDED
 PANEL CUTOUT**



**RoHS
 COMPLIANT**

TOLERANCE UNLESS OTHERWISE SPECIFIED	
X ± 1	
X.X ± 0.4	
X.XX ± 0.20	

Power Dynamics, Inc.
 Phone: 973 560-0019 Whippany, New Jersey Fax: 973 560-0076
 PART: IEC 60320 APPL. INLET; SOLDER
 TERMINALS; SIDE FLANGE

DRAWN BY: GQ	DATE: 09/13/01
CHECK BY: TD	DATE: 09/17/01
APPR BY: PB	DATE: 09/17/01

42R03-4X2X		SHEET 1 of 1
PART #: 42R03-4X2X	SCALE: NTS	
ALL DIMENSIONS FOR REFERENCE ONLY DIMENSIONS ARE IN MILLIMETERS		REV:

REVISIONS	CHNG	CHK	APPR
REV	DATE		