

6

5

4

3




2

1

**MATERIAL AND FINISH:**

Insulator: Polycarbonate, UL-94V-0 rated  
Contacts: Brass, Nickel plated

**ELECTRICAL SPECIFICATIONS:**

Current rating: 10 A   
Voltage rating: 250 VAC  
Current rating: 15 A   
Voltage rating: 250 VAC 

**ORDERING CODE:**

42R02-4                 
          1 2 3




**1 = TERMINAL OPTIONS**

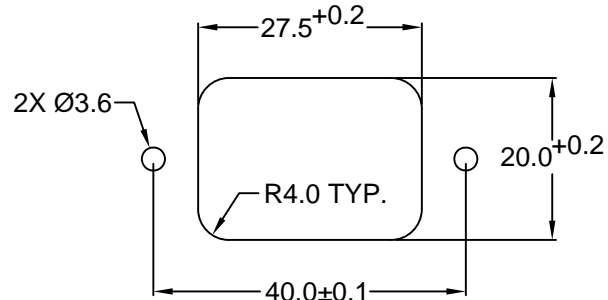
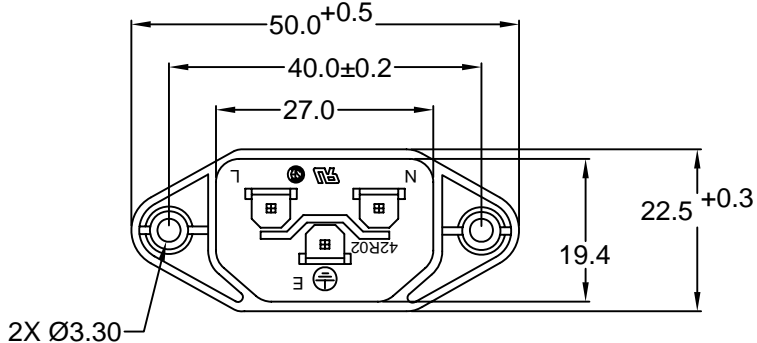
- 1 = .187(4.8)
- 2 = .250(6.3)

**2 = COLOR**

- 1 = BLACK
- 2 = GRAY

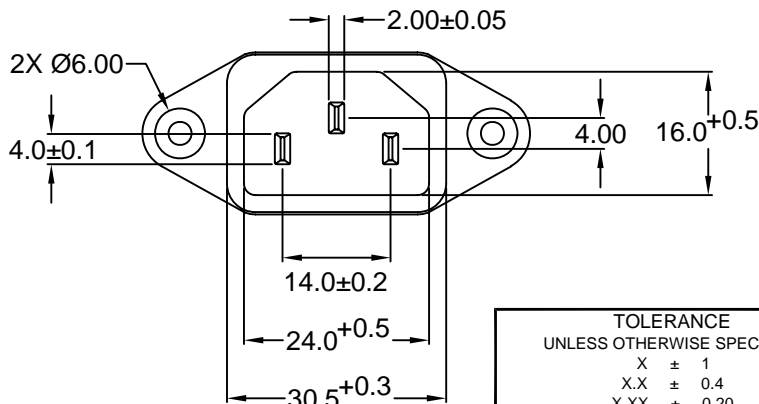
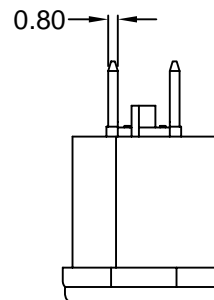
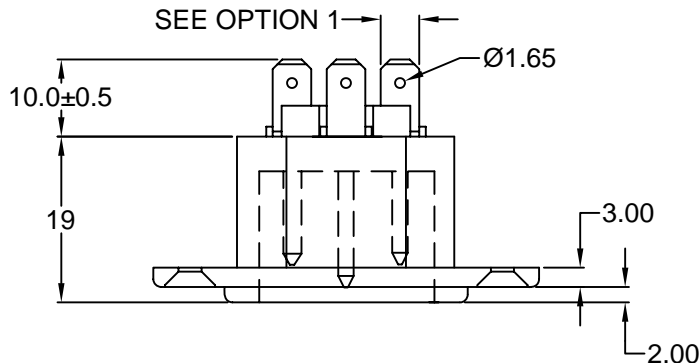
**3 = ELECTRICAL CIRCUIT CONFIGURATION**

- 1 = 15A 250V 120°C  2+GROUND
- 2 = 15A 250V 70°C  2+GROUND
- 4 = 15A 250V 70°C  2 POLE



**RECOMMENDED  
PANEL CUT-OUT**

SEE OPTION 1



**RoHS  
COMPLIANT**

REVISIONS	CHANGE	CHNG	CHK	APPR
	ADD RoHS	PB		
REV	DATE			
A	11/21/05			

TOLERANCE UNLESS OTHERWISE SPECIFIED		
X	±	1
X.X	±	0.4
X.XX	±	0.20
DRAWN BY	GQ	DATE: 8/6/01
CHECK BY	TD	DATE: 8/13/01
APPR BY	PB	DATE: 8/13/01

<b>Power Dynamics, Inc.</b>		
Phone: 973 560-0019 Whippany, New Jersey Fax: 973 560-0076		
PART: IEC 60320 C14 APPL. INLET; QUICK CONNECT TERMINALS; SIDE FLANGE, PANEL MOUNT		
PART #: <b>42R02-4XXX</b>		SHEET 1 of 1
SIZE: A	ALL DIMENSIONS FOR REFERENCE ONLY DIMENSIONS ARE IN MILLIMETERS	REV: A
SCALE: NTS		