

DO NOT SCALE FROM THIS PRINT

DESIGNED & DIMENSIONED IN MILLIMETERS [INCHES]

FMPS-XX-01-X-S-RA-XX

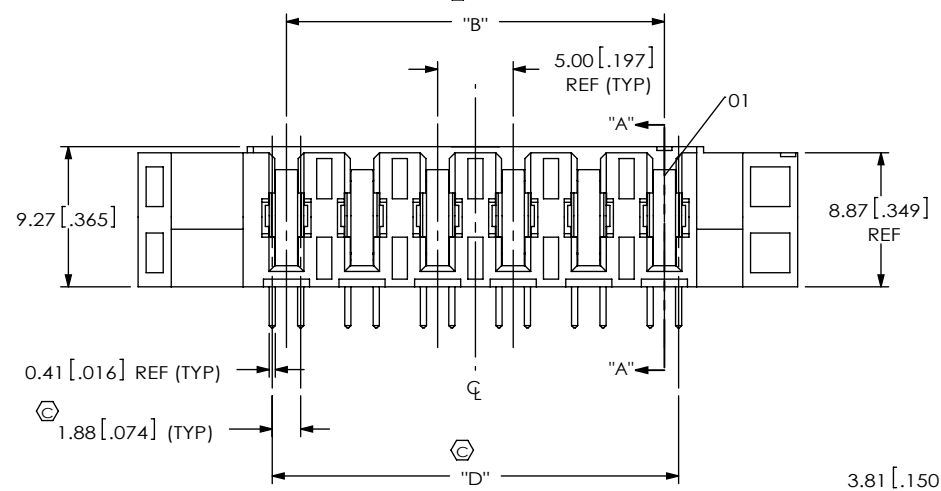
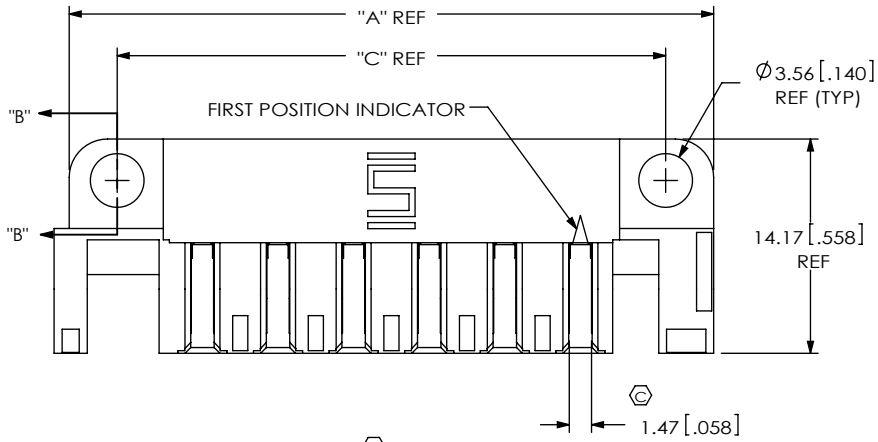
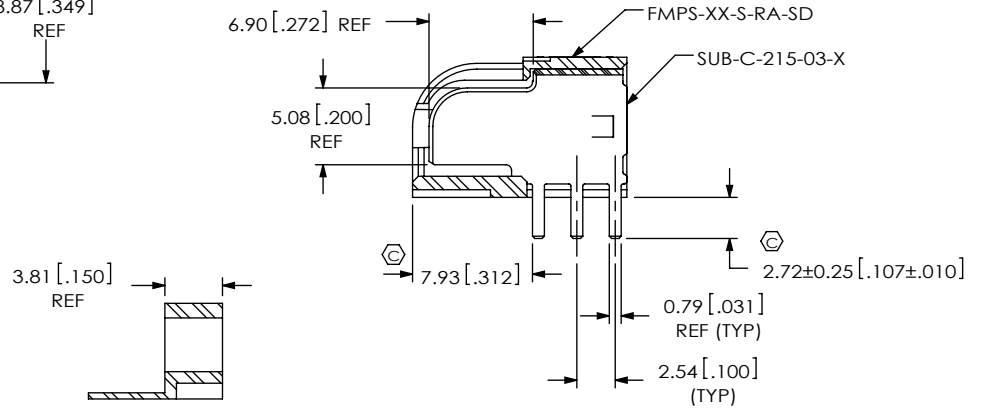
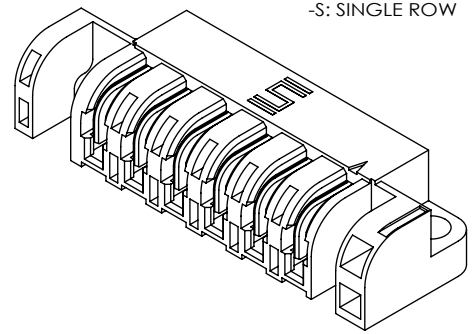


FIG 1 (FMPS-06-01-X-S-RA-SD SHOWN)

- No OF POSITIONS**
-02, -04, -06, -08
- LEAD STYLE**
-01: FOR 1.57 [.062] THICK PCB (USE SUB-C-215-03-X)
- PLATING SPECIFICATION**
-L: LIGHT SELECTIVE GOLD/TIN TAIL
-T: TIN ON ENTIRE PIN
- OPTION**
-SD: SCREW DOWN (SEE FIG. 1, SHT 1) (NOT AVAILABLE WITH -LC)
-LC: LOCKING CLIP (SEE FIG. 2, SHT 2) (NOT AVAILABLE WITH -SD) (USE LC-07-TM) (LEAVE BLANK FOR STANDARD OPTION) (SEE FIG 3)
- RIGHT ANGLE**
- ROW SPECIFICATION**
-S: SINGLE ROW



SECTION "B"- "B"

SECTION "A"- "A"

TABLE 1

PART NUMBER	"A"	"B"	"C"	"D"	"E"
FMPS-02-S-RA-XX	22.63 [.891]	5.00 [.197]	16.28 [.641]	6.88 [.271]	15.63 [.615]
FMPS-04-S-RA-XX	32.63 [1.285]	15.00 [.591]	26.28 [1.035]	16.88 [.665]	25.63 [1.009]
FMPS-06-S-RA-XX	42.63 [1.678]	25.00 [.984]	36.28 [1.428]	26.88 [1.058]	35.63 [1.403]
FMPS-08-S-RA-XX	52.63 [2.072]	35.00 [1.378]	46.28 [1.822]	36.88 [1.452]	45.63 [1.796]

NOTES:

- ⊕ REPRESENTS A CRITICAL DIMENSION.
- BURR ALLOWANCE: 0.038 [.0015] MAX.
- MINIMUM PUSHOUT FORCE: 4.45N [1 LB].
- BOW ALLOWED AT 0.051MM/MM [.0020 IN/IN].
- MINIMUM -LC PULL OUT FORCE: 2.23N [.5LB].
- PARTS TO BE PACKAGED IN TRAYS.
- VOIDS MAY BE ALTERED AT MOLDER'S DISCRETION TO CONTROL BOW.

UNLESS OTHERWISE SPECIFIED, DIMENSIONS ARE IN MILLIMETERS. TOLERANCES ARE:
DECIMALS ANGLES
X.X: ±0.3 [.01] 2°
X.XX: ±0.13 [.005]
X.XXX: ±0.051 [.0020]

PROPRIETARY NOTE
THIS DOCUMENT CONTAINS CONFIDENTIAL AND PROPRIETARY INFORMATION AND ALL DESIGN, MANUFACTURING, REPRODUCTION, USE, PATENT RIGHTS AND SALES RIGHTS ARE EXPRESSLY RESERVED BY SAMTEC, INC. THIS DOCUMENT SHALL NOT BE DISCLOSED, IN WHOLE OR PART, TO ANY UNAUTHORIZED PERSON OR ENTITY NOR REPRODUCED, TRANSFERRED OR INCORPORATED IN ANY OTHER PROJECT IN ANY MANNER WITHOUT THE EXPRESS WRITTEN CONSENT OF SAMTEC, INC.

520 PARK EAST BLVD, NEW ALBANY, IN 47150
PHONE: 812-944-6733 FAX: 812-948-5047
e-Mail: info@SAMTEC.com code: 55322

MATERIAL: DO NOT SCALE DRAWING SHEET SCALE: 2:1
INSULATOR: LCP, COLOR: BLACK
CONTACT: COPPER ALLOY
LOCKING CLIP: PHOS BRONZE

DESCRIPTION:
FLEX MATE MINI POWER SOCKET ASSEMBLY
DWG. NO.

FMPS-XX-01-X-S-RA-XX
BY: B RAY 04/02/2008 SHEET 1 OF 2

FIG 2
(FMPS-06-01-X-S-RA-LC SHOWN)
(SAME AS FIG 1, DIFFERENT AS SHOWN)

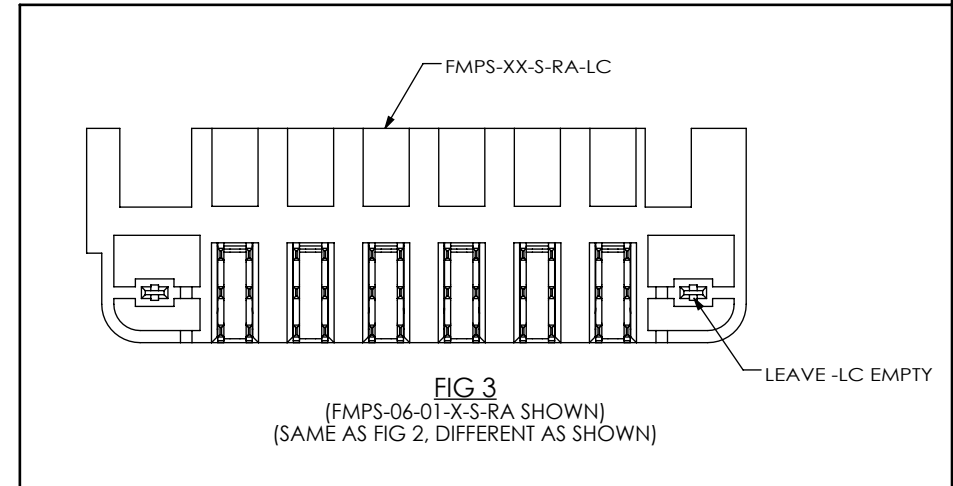
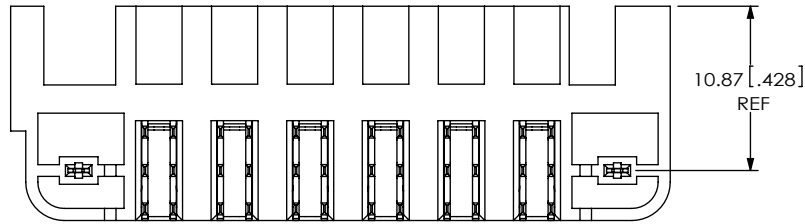
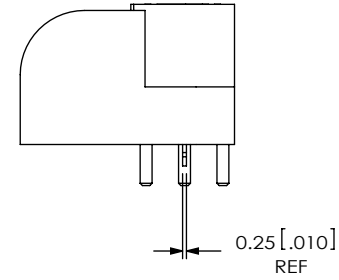
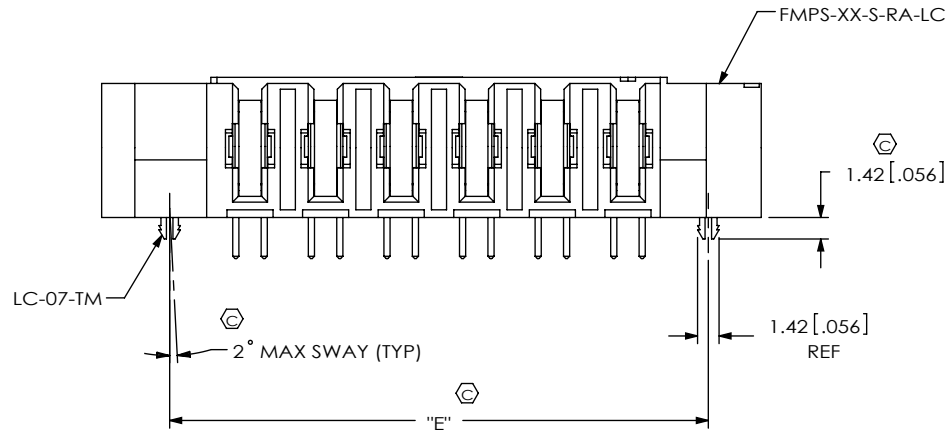


FIG 3
(FMPS-06-01-X-S-RA SHOWN)
(SAME AS FIG 2, DIFFERENT AS SHOWN)

PROPRIETARY NOTE
THIS DOCUMENT CONTAINS CONFIDENTIAL AND PROPRIETARY INFORMATION AND ALL DESIGN, MANUFACTURING, REPRODUCTION, USE, PATENT RIGHTS AND SALES RIGHTS ARE EXPRESSLY RESERVED BY SAMTEC, INC. THIS DOCUMENT SHALL NOT BE DISCLOSED, IN WHOLE OR PART, TO ANY UNAUTHORIZED PERSON OR ENTITY NOR REPRODUCED, TRANSFERRED OR INCORPORATED IN ANY OTHER PROJECT IN ANY MANNER WITHOUT THE EXPRESS WRITTEN CONSENT OF SAMTEC, INC.

DO NOT SCALE DRAWING

SHEET SCALE: 2:1

samtec

520 PARK EAST BLVD, NEW ALBANY, IN 47150
PHONE: 812-944-6733 FAX: 812-948-5047
e-Mail: info@SAMTEC.com code: 55322

DESCRIPTION:
FLEX MATE MINI POWER SOCKET ASSEMBLY

DWG. NO.
FMPS-XX-01-X-S-RA-XX

BY: B RAY 04/02/2008 SHEET 2 OF 2