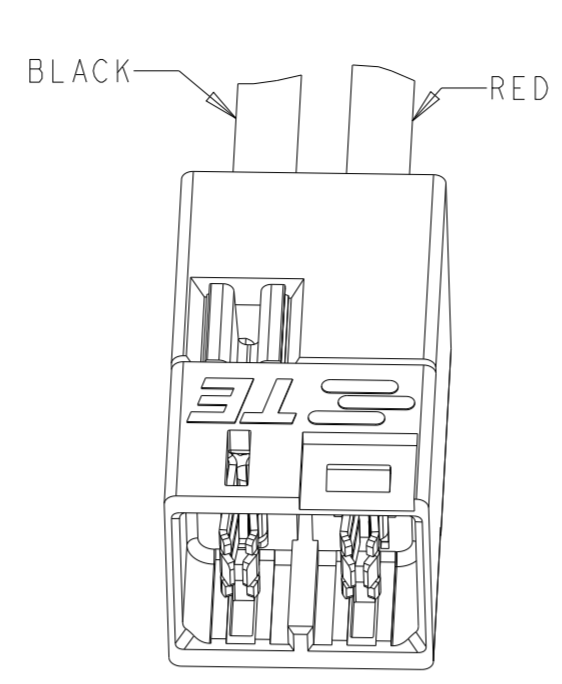
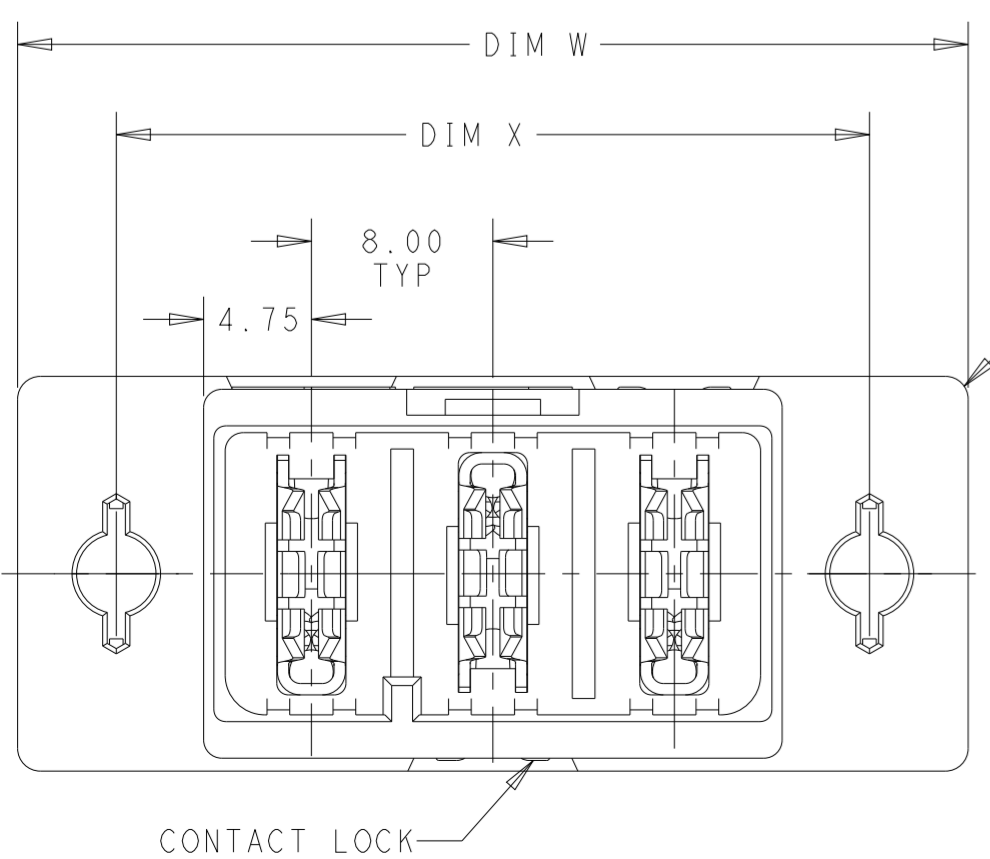
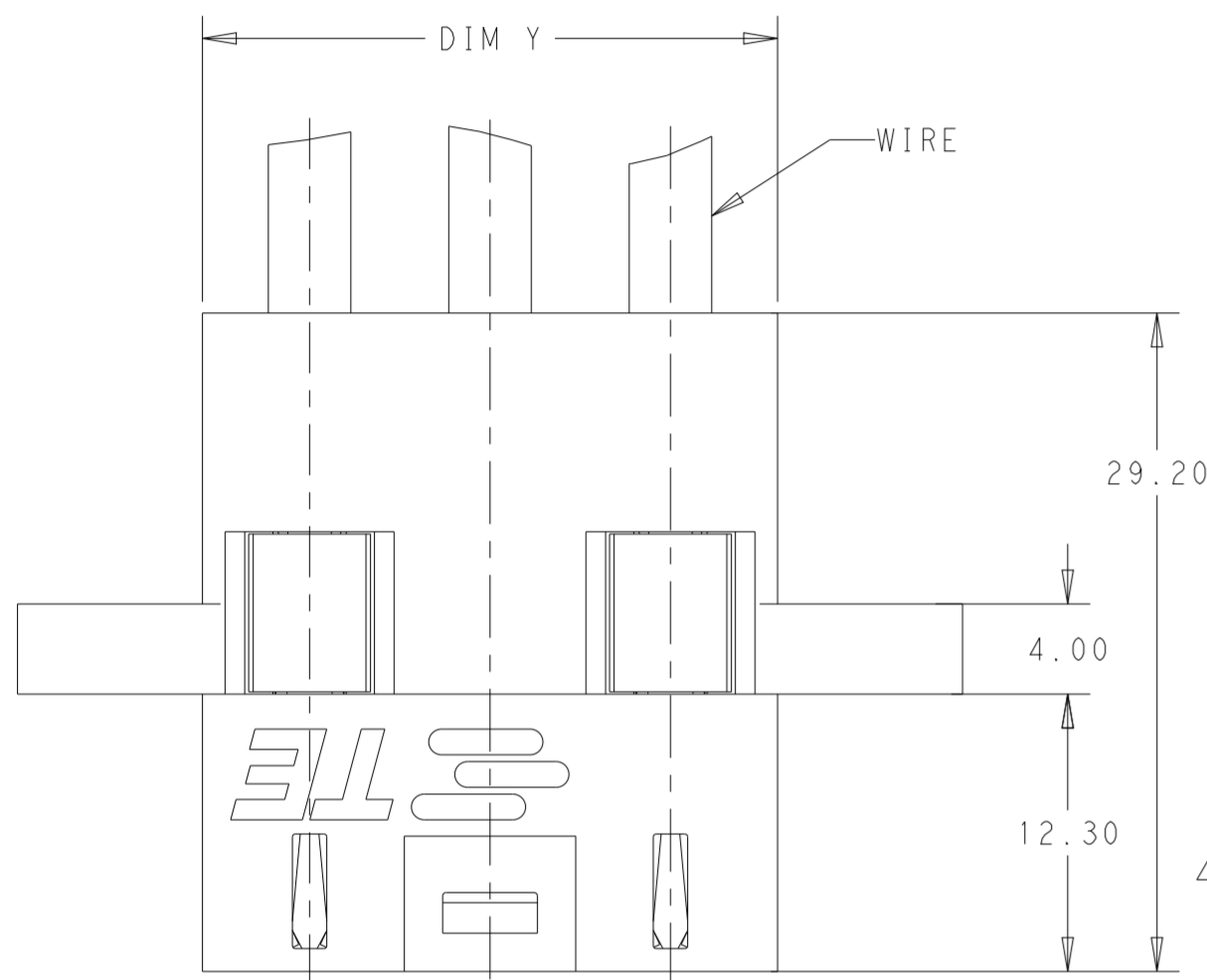
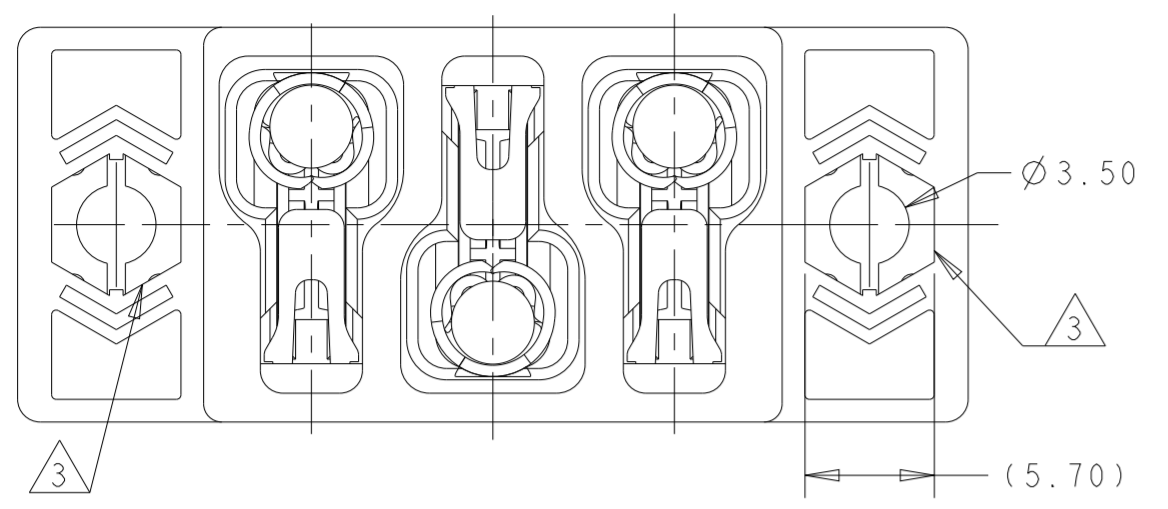
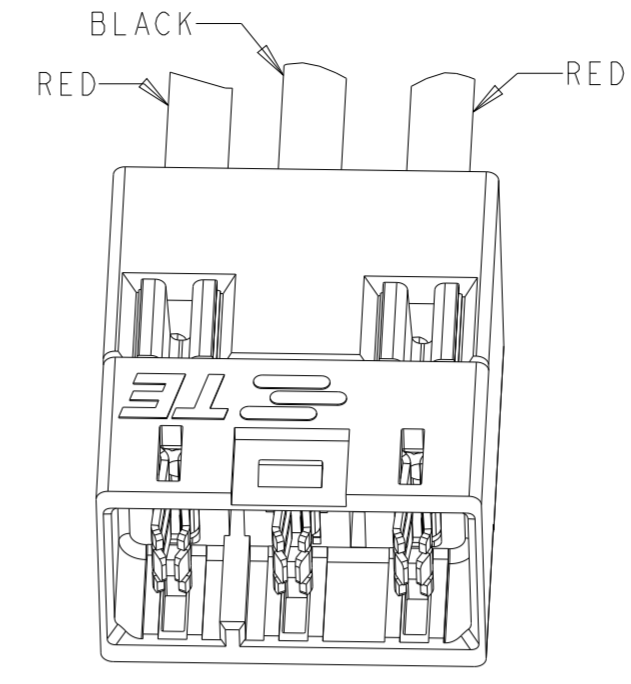


THIS DRAWING IS UNPUBLISHED. RELEASED FOR PUBLICATION 20
 © COPYRIGHT 20 BY - ALL RIGHTS RESERVED.

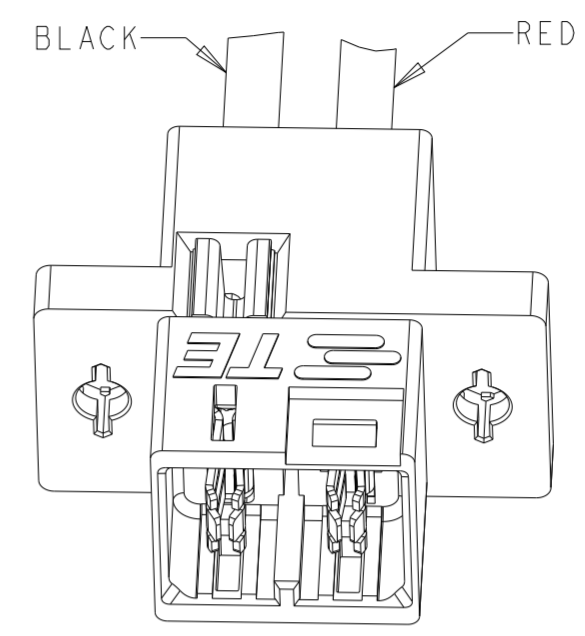
REVISIONS				
P	LTR	DESCRIPTION	DATE	APVD
A		INITIAL RELEASE	14SEP2021	
B		REVISED PER ECN-22-176108	30SEP2022	LP RL



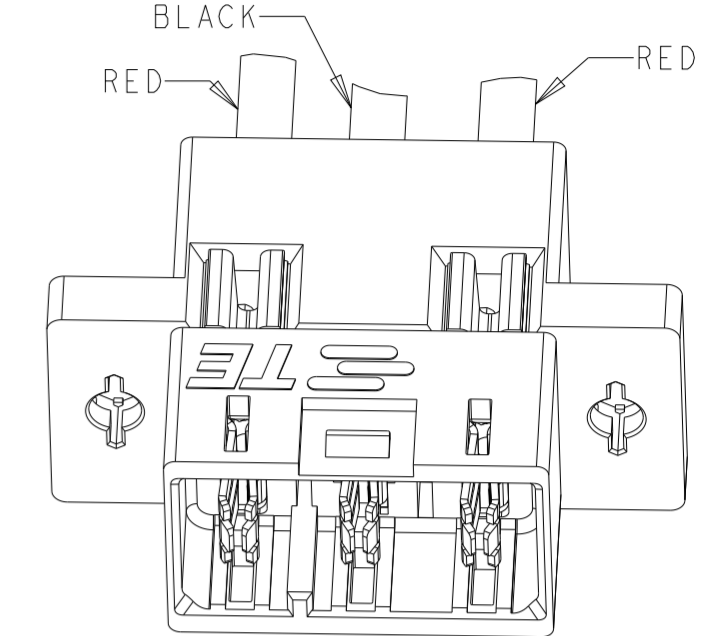
SCALE 2:1
2 POSITION
2332673-1 THRU
2332673-4



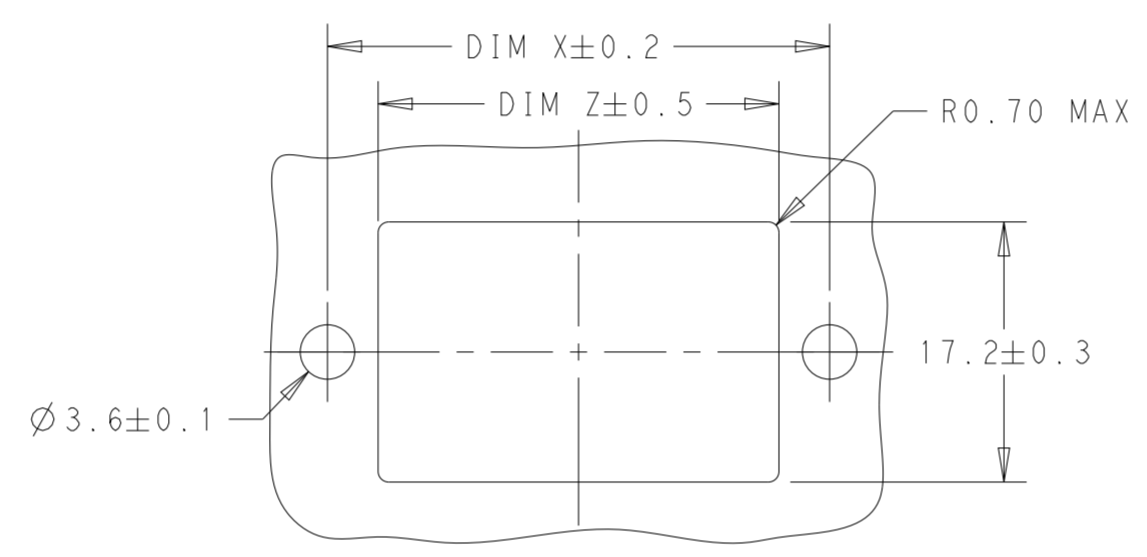
SCALE 2:1
3 POSITION
2332673-5 THRU
2332673-8



SCALE 2:1
2 POSITION
PANEL MOUNT
2332673-9 THRU
1-2332673-2



SCALE 2:1
3 POSITION
PANEL MOUNT
1-2332673-3 THRU
1-2332673-6



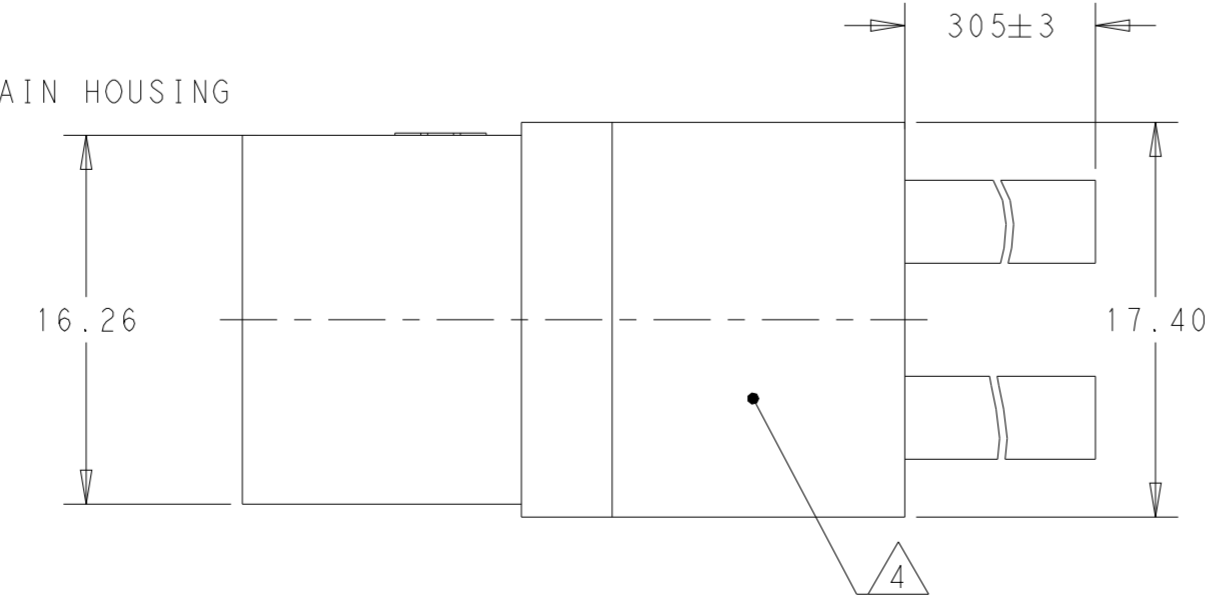
RECOMMENDED PANEL LAYOUT
(2332673-9 THRU 1-2332673-6)

1 MATERIAL: CONTACTS - HIGH CONDUCTIVITY COPPER ALLOY
 HOUSINGS - THERMOPLASTIC, UL94 V-0
 MAIN HOUSING COLOR: ORANGE
 CONTACT LOCKS COLOR: WHITE
 WIRE - STRANDED COPPER WITH SILICONE JACKET, RATED TO 200°C
 COLOR: RED OR BLACK AS SHOWN.

2 FINISH: NICKEL UNDERPLATE ALL OVER.
 NOBLE METAL PLATING ON CONTACT FUNCTIONAL AREA.
 TIN PLATING IN CRIMP AREA

3 FEATURES DESIGNED TO RETAIN M3 THIN HEX NUT (DIN 439)

4 PART NUMBER AND DATECODE TO BE MARKED IN AREA SHOWN.



WIRE SIZE	DIM Z	DIM W	DIM X	DIM Y	PANEL MOUNT FEATURES	DESCRIPTION	PART NO.
8 AWG	26.50	41.90	33.20	25.50	YES	3 POSITION	1-2332673-6
10 AWG	26.50	41.90	33.20	25.50	YES	3 POSITION	1-2332673-5
12 AWG	26.50	41.90	33.20	25.50	YES	3 POSITION	1-2332673-4
14 AWG	26.50	41.90	33.20	25.50	YES	3 POSITION	1-2332673-3
8 AWG	18.50	33.90	25.20	17.50	YES	2 POSITION	1-2332673-2
10 AWG	18.50	33.90	25.20	17.50	YES	2 POSITION	1-2332673-1
12 AWG	18.50	33.90	25.20	17.50	YES	2 POSITION	1-2332673-0
14 AWG	18.50	33.90	25.20	17.50	YES	2 POSITION	2332673-9
8 AWG	-	-	-	25.50	NO	3 POSITION	2332673-8
10 AWG	-	-	-	25.50	NO	3 POSITION	2332673-7
12 AWG	-	-	-	25.50	NO	3 POSITION	2332673-6
14 AWG	-	-	-	25.50	NO	3 POSITION	2332673-5
8 AWG	-	-	-	17.50	NO	2 POSITION	2332673-4
10 AWG	-	-	-	17.50	NO	2 POSITION	2332673-3
12 AWG	-	-	-	17.50	NO	2 POSITION	2332673-2
14 AWG	-	-	-	17.50	NO	2 POSITION	2332673-1

THIS DRAWING IS A CONTROLLED DOCUMENT.

DIMENSIONS: mm	TOLERANCES UNLESS OTHERWISE SPECIFIED: 0 PLC ± 1 PLC ±0.25 2 PLC ±0.13 3 PLC ± 4 PLC ±	APVD: K MILLER 01OCT2018 CHK: N RUFFINI 01OCT2018	NAME: UMP, PLUG, CONNECTOR ASSEMBLY
MATERIAL: 1	FINISH: 2	PRODUCT SPEC: 108-163021 APPLICATION SPEC: 114-163021	SIZE: A2 CAGE CODE: 00779 DRAWING NO: C-2332673
CUSTOMER DRAWING		WEIGHT: -	RESTRICTED TO: -
SCALE: 3:1		SHEET: 1 OF 1	REV: B