

6

5

4

3

2

1

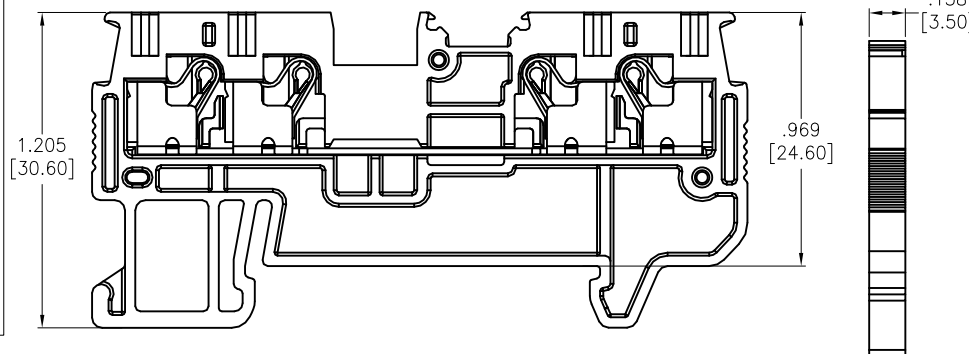
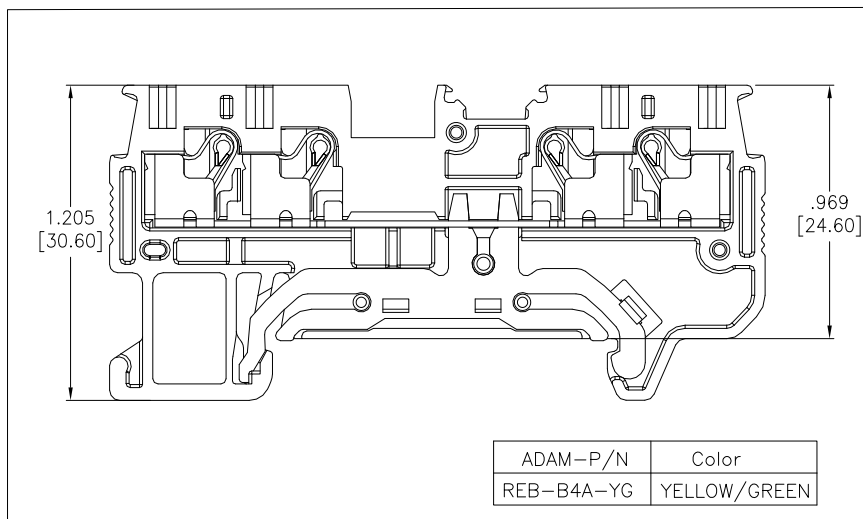
APPROVED: _____

DATE: _____ TITLE: _____

Rev	AWO #	Description	Date	Appr
-		RELEASED	10/7/22	

D

D



C

C

B

B

SPECIFICATIONS:

Material:

Insulator: PA66, rated UL 94V-0

Insulator Color: See Chart

Contacts: Copper Alloy, Tin Plated

Electrical:

Voltage rating: 300 VAC

Current rating: 15 Amp

Dielectric withstanding voltage: 1600 VAC for 1 minute

Mechanical:

Wire range : 26-14 #AWG

Flexible: 0.2-1.5

Stripping Length: 8-10

Temperature Rating:

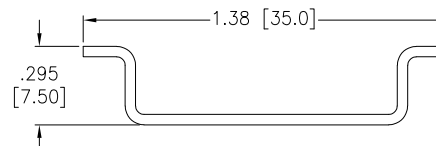
Operating temperature: -40°C to +105°C

Environmental:

Lead free, RoHS compliant.



RECOMMENDED RAIL SIZE
35.0mm X 7.5mm



ADAM-P/N	Color
REB-B4A-OR	ORANGE
REB-B4A-BU	BLUE
REB-B4A-GY	GRAY
REB-B4A-YG	YELLOW/GREEN

A

A

UNLESS OTHERWISE SPECIFIED ALL DIMENSIONS ARE INCHES [MM]. TOLERANCES: EXCEPT AS NOTED			<p>909 Rahway Avenue, Union, NJ 07083 Phone: 908-687-5000 Fax: 908-687-5710</p>															
<table border="1"> <thead> <tr> <th colspan="2">INCHES</th> <th colspan="2">HOLES</th> </tr> </thead> <tbody> <tr> <td>.x</td> <td>± .10</td> <td>∅x</td> <td>± .10</td> </tr> <tr> <td>.xx</td> <td>± .020</td> <td>∅xx</td> <td>± .015</td> </tr> <tr> <td>.xxx</td> <td>± .015</td> <td>∅xxx</td> <td>± .010</td> </tr> </tbody> </table>					INCHES		HOLES		.x	± .10	∅x	± .10	.xx	± .020	∅xx	± .015	.xxx	± .015
INCHES		HOLES																
.x	± .10	∅x	± .10															
.xx	± .020	∅xx	± .015															
.xxx	± .015	∅xxx	± .010															
DRAWN	JJ	10/7/22	TITLE															
CHECKED	RC	10/7/22	DIN RAIL TERMINAL BLOCKS, GUV 4 HOLE, 1.5 FLEXIBLE															
APPROVED			SIZE	PART NO.														
THIS DRAWING CONTAINS INFORMATION THAT IS PROPRIETARY AND SHOULD NOT BE USED WITHOUT PRIOR WRITTEN PERMISSION FROM ADAM TECH			X	REB-B4A-XX														
			REV. A															
REF:	S00067C	SCALE:	NTS	SHEET 1 OF 1														

6

5

4

3

2

1