

6

5

4

3

2

1

APPROVED: \_\_\_\_\_

DATE: \_\_\_\_\_ TITLE: \_\_\_\_\_

|     |       |             |         |      |
|-----|-------|-------------|---------|------|
| Rev | AWO # | Description | Date    | Appr |
| -   |       | RELEASED    | 10/7/22 |      |

D

D

C

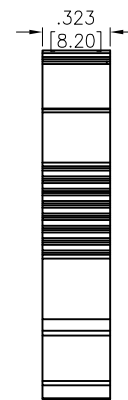
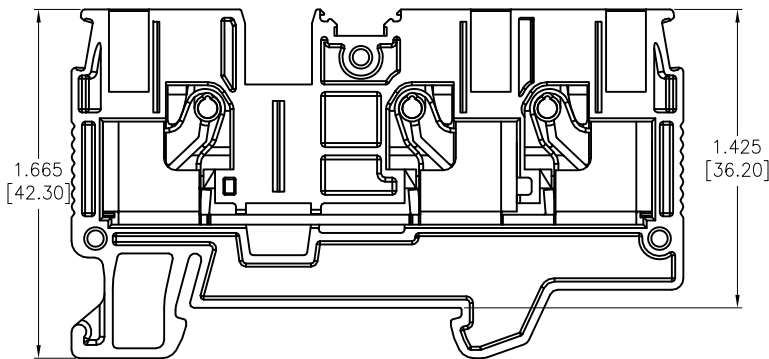
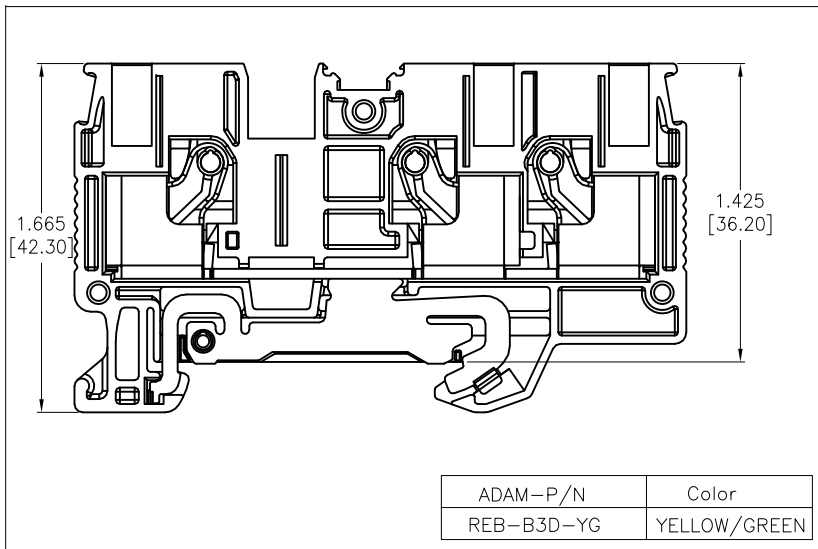
C

B

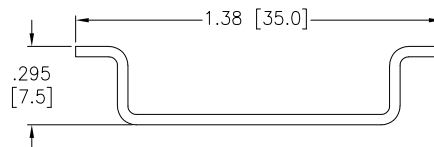
B

A

A



RECOMMENDED RAIL SIZE  
35.0mm X 7.5mm



|            |              |
|------------|--------------|
| ADAM-P/N   | Color        |
| REB-B3D-OR | ORANGE       |
| REB-B3D-BU | BLUE         |
| REB-B3D-GY | GRAY         |
| REB-B3D-YG | YELLOW/GREEN |

SPECIFICATIONS:

Material:

Insulator: PA66, rated UL 94V-0

Insulator Color: See Chart

Contacts: Copper Alloy, Tin Plated

Electrical:

Voltage rating: 600 VAC

Current rating: 40 Amp

Dielectric withstanding voltage: 2200 VAC for 1 minute

Mechanical:

Wire range : 20-8 #AWG

Flexible: 0.5-6

Stripping Length: 10-12

Temperature Rating:

Operating temperature: -40°C to +105°C

Environmental:

Lead free, RoHS compliant.



UNLESS OTHERWISE SPECIFIED ALL DIMENSIONS ARE INCHES [MM]. TOLERANCES: EXCEPT AS NOTED

| INCHES |        | HOLES |        |
|--------|--------|-------|--------|
| .X     | ± .10  | Ø.X   | ± .10  |
| .XX    | ± .020 | Ø.XX  | ± .015 |
| .XXX   | ± .015 | Ø.XXX | ± .010 |



909 Rahway Avenue,  
Union, NJ 07083  
Phone: 908-687-5000  
Fax: 908-687-5710

|          |    |         |
|----------|----|---------|
| DRAWN    | WX | 10/7/22 |
| CHECKED  | RC | 10/7/22 |
| APPROVED |    |         |

|   |                        |              |
|---|------------------------|--------------|
| TITLE<br>DIN RAIL TERMINAL BLOCKS, GUV 3 HOLE, 6.0 FLEXIBLE |                        |              |
| SIZE<br>X   | PART NO.<br>REB-B3D-XX | REV.<br>-    |
| REF: S00067C  | SCALE: NTS             | SHEET 1 OF 1 |

6

5

4

3

2

1