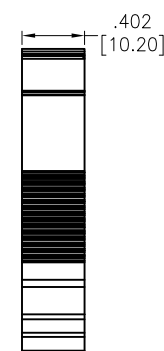
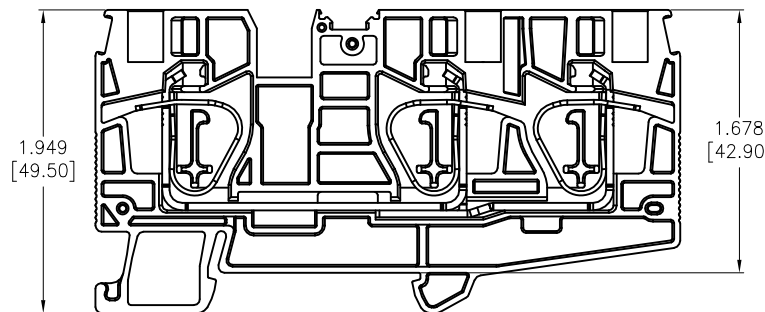
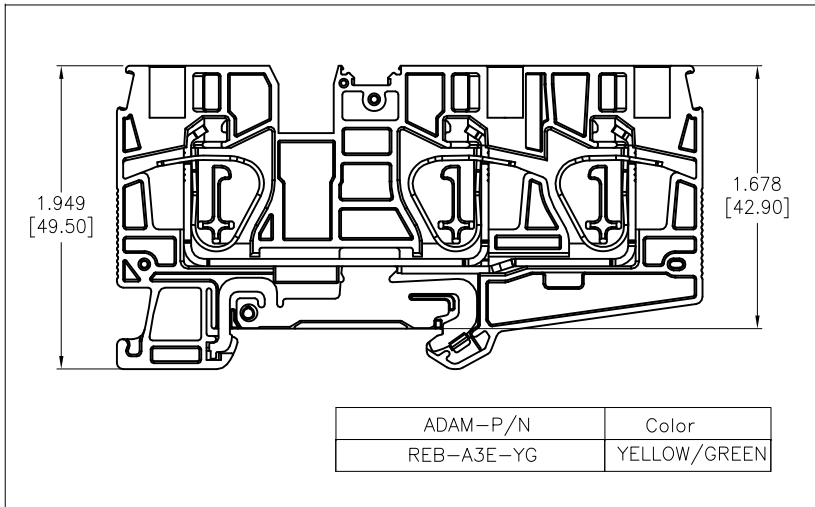
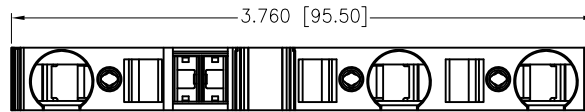
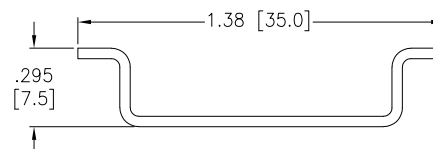


APPROVED: _____
 DATE: _____ TITLE: _____

Rev	AWO #	Description	Date	Appr
-		RELEASED	10/7/22	



RECOMMENDED RAIL SIZE
 35.0mm X 7.5mm



ADAM-P/N	Color
REB-A3E-BU	BLUE
REB-A3E-GY	GRAY
REB-A3E-YG	YELLOW/GREEN

B SPECIFICATIONS:

Material:
 Insulator: PA66, rated UL 94V-0
 Insulator color: See chart
 Contacts: Copper Alloy, Tin Plated
 Plating:
 Electrical:
 Voltage rating: 600V
 Current rating: 65A
 Dielectric withstanding voltage: 2,200 VAC for 1 minute
 Mechanical:
 Flexible: 0.2-10.0 mm²
 Wire range : 24-6 #AWG
 Stripping Length: 18 mm
 Temperature Rating:
 Operating temperature: -40°C to +105°C
 Environmental:
 Lead free, RoHS compliant.



UNLESS OTHERWISE SPECIFIED ALL DIMENSIONS ARE INCHES [MM]. TOLERANCES: EXCEPT AS NOTED

INCHES		HOLES	
.X	± .10	∅X	± .10
.XX	± .020	∅XX	± .015
.XXX	± .015	∅XXX	± .010



909 Rahway Avenue,
 Union, NJ 07083
 Phone: 908-687-5000
 Fax: 908-687-5710

DRAWN	WX	10/7/22
CHECKED	RC	10/7/22
APPROVED		

TITLE DIN RAIL TERMINAL BLOCKS, GUS, 3HOLE, 10.0 FLEXIBLE		
SIZE X	PART NO. REB-A3E-XX	REV. -

THIS DRAWING CONTAINS INFORMATION THAT IS PROPRIETARY AND SHOULD NOT BE USED WITHOUT PRIOR WRITTEN PERMISSION FROM ADAM TECH

REF: S00067C	SCALE: NTS	SHEET 1 OF 1
--------------	------------	--------------